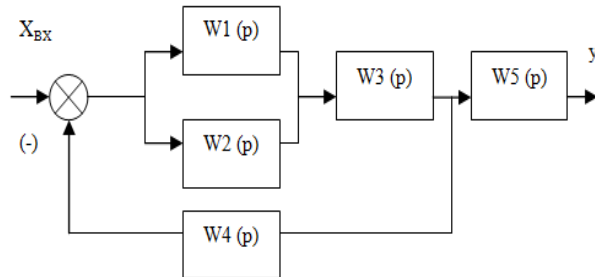


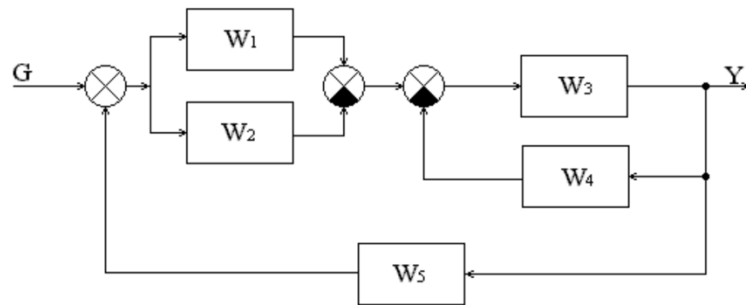
Тема 2. Нахождение переходных функций по структурной схеме

Задание: Найти передаточную функцию системы автоматического регулирования

1)



2)



Вариант 1

$$W_1(p) = 1$$

$$W_2(p) = \frac{2}{4p+1}$$

$$W_3(p) = \frac{6}{5p+1}$$

$$W_4(p) = 7$$

Вариант 2

$$W_1(p) = 1$$

$$W_2(p) = \frac{2}{3p+1}$$

$$W_3(p) = \frac{1}{2p+1}$$

$$W_4(p) = 4$$

Вариант 3

$$W_1(p) = 2$$

$$W_2(p) = \frac{1}{3p+1}$$

$$W_3(p) = \frac{2}{4p+1}$$

$$W_4(p) = 5$$

Вариант 4

$$W_1(p) = 6$$

$$W_2(p) = \frac{2}{4p+1}$$

$$W_3(p) = \frac{6}{5p+1}$$

$$W_4(p) = 2$$

Вариант 5

$$W_1(p) = \frac{2}{4p+1}$$

$$W_2(p) = 2$$

$$W_3(p) = \frac{6}{5p+1}$$

$$W_4(p) = 4$$

Вариант 6

$$W_1(p) = 2$$

$$W_2(p) = 4$$

$$W_3(p) = \frac{1}{2p+1}$$

$$W_4(p) = 10$$

Вариант 7

$$W_1(p) = \frac{2}{3p+1}$$

$$W_2(p) = \frac{1}{3p+1}$$

$$W_3(p) = 2$$

$$W_4(p) = 5$$

Вариант 8

$$W_1(p) = 1$$

$$W_2(p) = \frac{2}{4p+1}$$

$$W_3(p) = \frac{6}{5p+1}$$

$$W_4(p) = 7$$

Вариант 9

$$W_1(p) = 1$$

$$W_2(p) = \frac{2}{4p+1}$$

$$W_3(p) = \frac{6}{5p+1}$$

$$W_4(p) = 7$$

Вариант 10

$$W_1(p) = 1$$

$$W_2(p) = \frac{2}{3p+1}$$

$$W_3(p) = \frac{1}{2p+1}$$

Вариант 10

$$W_1(p) = 1$$

$$W_2(p) = \frac{2}{3p+1}$$

Вариант 10

$$W_1(p) = 1$$

$$W_2(p) = \frac{2}{3p+1}$$

Вариант 11

$$W_1(p) = 1$$

$$W_2(p) = \frac{2}{3p+1}$$

Вариант 12

$$W_1(p) = 1$$

$$W_2(p) = \frac{2}{3p+1}$$

Вариант 13

$$W_1(p) = 1$$

$$W_2(p) = \frac{2}{3p+1}$$

Вариант 14

$$W_1(p) = 1$$

$$W_2(p) = \frac{2}{3p+1}$$

Вариант 15

$$W_1(p) = 1$$

$$W_2(p) = \frac{2}{3p+1}$$

Вариант 16

$$W_4(p) = 4$$

$$W_3(p) = \frac{1}{2p+1}$$

$$W_4(p) = 4$$

$$W_3(p) = \frac{1}{2p+1}$$

$$W_4(p) = 4$$

$$W_3(p) = \frac{1}{2p+1}$$

$$W_4(p) = 4$$

$$W_3(p) = \frac{1}{2p+1}$$

$$W_4(p) = 4$$

$$W_3(p) = \frac{1}{2p+1}$$

$$W_4(p) = 4$$

$$W_3(p) = \frac{1}{2p+1}$$

$$W_4(p) = 4$$

$$W_3(p) = \frac{1}{2p+1}$$

$$W_4(p) = 4$$

$$W_1(p) = 1$$

$$W_2(p) = \frac{2}{3p+1}$$

$$W_3(p) = \frac{1}{2p+1}$$

$$W_4(p) = 4$$

Вариант 17

$$W_1(p) = 1$$

$$W_2(p) = \frac{2}{3p+1}$$

$$W_3(p) = \frac{1}{2p+1}$$

$$W_4(p) = 4$$

Вариант 18

$$W_1(p) = 1$$

$$W_2(p) = \frac{2}{3p+1}$$

$$W_3(p) = \frac{1}{2p+1}$$

$$W_4(p) = 2$$

Вариант 19

$$W_1(p) = 9$$

$$W_2(p) = \frac{2}{3p+1}$$

$$W_3(p) = \frac{1}{2p+1}$$

$$W_4(p) = 3$$

$W_5(p) =$

п/н	1	2	3	4	5
Передаточная функция	$W(p) = \frac{1}{5p+1}$	$W(p) = \frac{12}{3p+1}$	$W(p) = \frac{1}{2p+1}$	$W(p) = \frac{2}{3p+1}$	$W(p) = \frac{1}{3p+1}$
п/н	6	7	8	9	10
Передаточная функция	$W(p) = \frac{4}{4p+1}$	$W(p) = \frac{2}{6p+1}$	$W(p) = \frac{5}{2p+1}$	$W(p) = \frac{3}{3p+1}$	$W(p) = \frac{1}{8p+1}$
п/н	11	12	13	14	15
Передаточная функция	$W(p) = \frac{4}{5p+1}$	$W(p) = \frac{1}{4p+1}$	$W(p) = \frac{1}{0,5p+1}$	$W(p) = \frac{2}{0,3p+1}$	$W(p) = \frac{1}{0,1p+1}$
п/н	16	17	18	19	20
Передаточная функция	$W(p) = \frac{10}{6p+1}$	$W(p) = \frac{1}{0,8p+1}$	$W(p) = \frac{2}{0,2p+1}$	$W(p) = \frac{2}{4p+1}$	$W(p) = \frac{15}{10p+1}$
п/н	21	22	23	24	25
Передаточная функция	$W(p) = \frac{9}{3p+1}$	$W(p) = \frac{8}{7p+1}$	$W(p) = \frac{6}{4p+1}$	$W(p) = \frac{5}{7p+1}$	$W(p) = \frac{4}{2p+1}$